

sprint

Embroidery with **18** colours

8



**Z
SK**

ZSK STICKMASCHINEN

Embroidery Solutions Made in Germany

**Z
SK**



SPRINT 8 - Technical Data

Number of heads	1
Number of needles / colours F-head	18

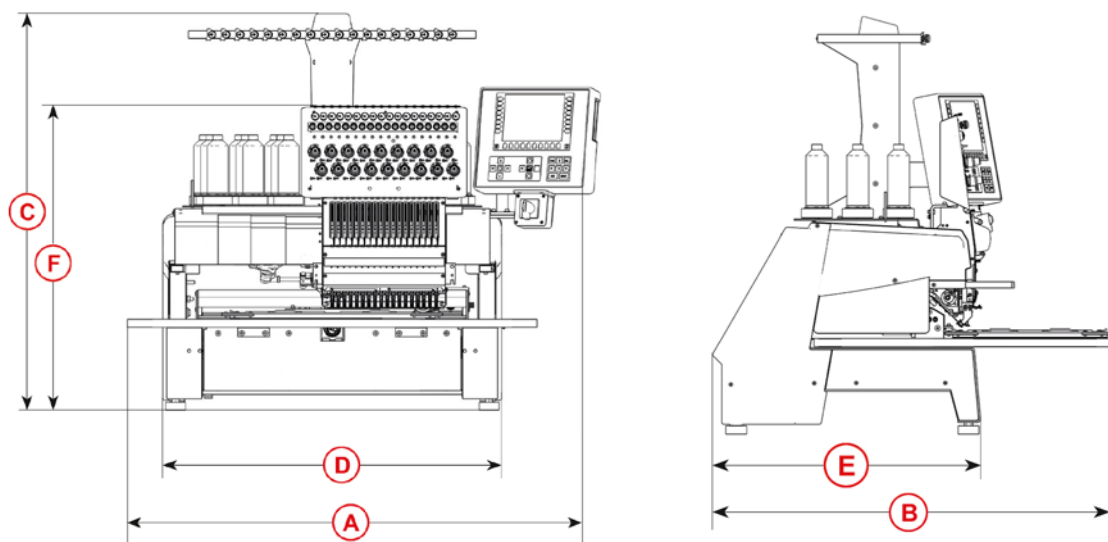
Embroidery Field

Embroidery field width	460 mm / 18,1"
Embroidery field depth	310 mm / 12,2"
Embroidery field Cap	70 mm x 360 mm / 2,75" x 14,2"
Embroidery field Standard	460 mm x 310 mm / 18,1" x 12,2"
Embroidery field Tubular	300 mm x 400 mm / 11,8" x 15,7"

Embroidery Speed

Embroidery speed Cap	1.000 rpm
Embroidery speed Standard	1.200 rpm
Embroidery speed Tubular	1.200 rpm

Machine Dimensions



Machine	Dimensions max.			Dimensions min.		
	Width (A)	Depth (B)	Height (C)	Width (D)	Depth (E)	Height (F)
Sprint 8	1.250 mm 49,21"	957 mm 37,67"	1.006 mm 39,6"	860 mm 33,85"	645 mm 25,39"	773 mm 30,43"

Key Features

Design

The SPRINT 8 thanks its design to the German industrial design specialist Andreas Schulze. The modern and ergonomic design aims to combine functionality and sophistication. The SPRINT 8 is an eye catcher for your showroom, shop, living room and factory.

18 Needles

18 needles allow efficiency, a new level of creativity and perfection. The engineering of the 18 needle head promises highest embroidery stitch quality. Having 18 needles reduces down times and preparation times for new jobs drastically.

3D Embroidery

The robustness of the chassis, special extra strong springs and extended take up levers providing the perfect amount of the thread are a few of the secrets why the SPRINT 8 is THE embroidery machine for anyone wanting to excel in 3D embroidery.

Performance

The SPRINT 8 is equipped with Servo Motors, a super fast Colour Change and Catcher Motor. These features make it to one of the most efficient single head embroidery machine in the market. A redesign of the embroidery head will persuade you with a pleasant sound.

Life Time

ZSKs history dates back to 1875. The experience gained is part of the quality of every ZSK embroidery machine. The lifetime of ZSK equipment is well beyond 25 years.

Networking

ZSK machines are the ideal partner for workflow environments. The controller allow a multitude of functionality for networking. The equipment is supported by a variety of APIs developed by ZSK.

Thread Management

In combination with the ZSK Control Center, the SPRINT 8 is equipped with an intelligent thread management feature. The software allows thread colour matching and management.

Flexibility

The SPRINT 8 comes with the slimmest tubular arm in the industry. Combined with ZSKs shirt pocket frames and shoe frame it opens new fields of application. The SPRINT 8 is equipped with a Quick Change system that supports very quick change over times between different hooping systems.

Made in Germany

The SPRINT 8 is engineered and manufactured in Germany for the high standards demanded at the embroidery industry.



**Z
SK**



SPRINT 8 - Features to talk about!



18 Colours



Highest Embroidery Precision



Easy to use controller



Superb 3D Quality



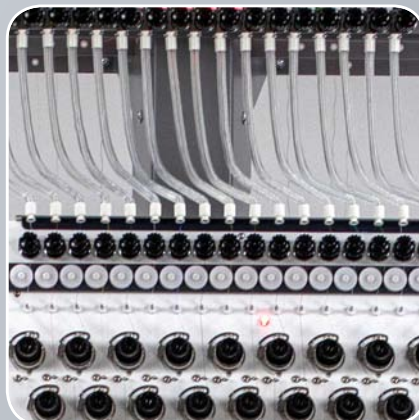
Quick-Change System



Network Functionality



Slimmest Tubular Arm
of the Branch



NEW
Thread Tension Design



Height Adjustable
Presser Foot